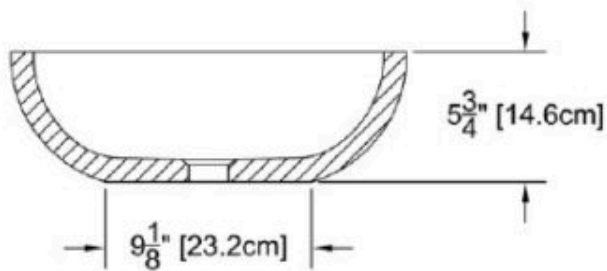
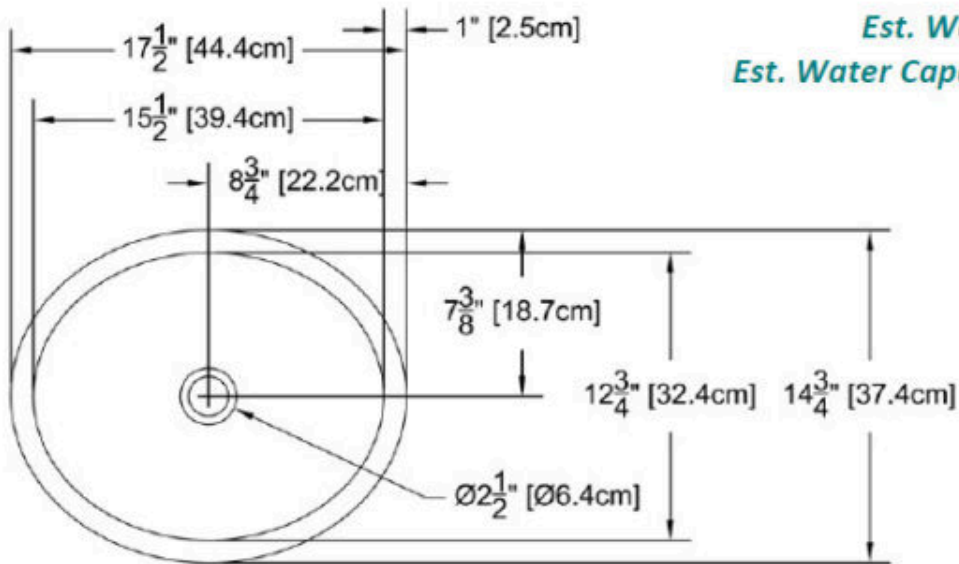


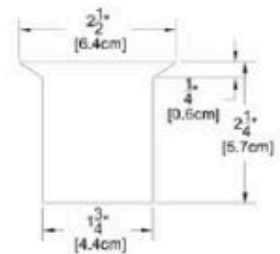
Ovalis 2 Basin

Est. Weight: 35 lbs (15.9 kg)
Est. Water Capacity: 1.5 gal (6 litres)



Our products comply with one or more of the following: IAPMO, ANSI, HUD, NAHB, NHQ

Drain Details:



Drain dimensions may vary slightly