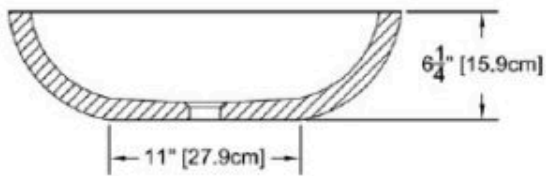
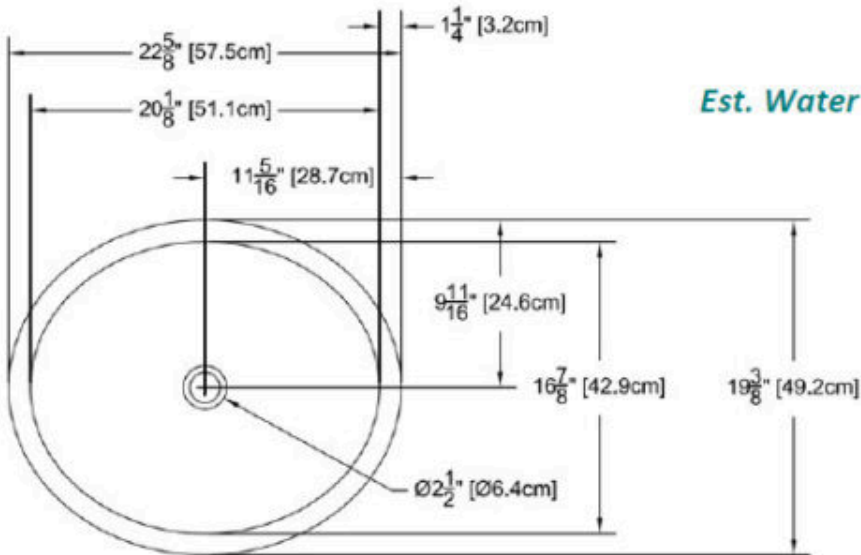


# Ovalis 1 Basin

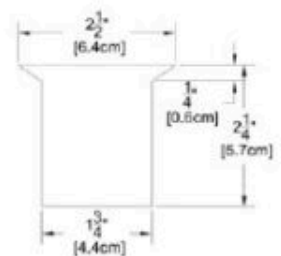
*Est. Weight: 31 lbs (14 kg)*

*Est. Water Capacity: 3.2 gal (12 litres)*



*Our products comply with one or more of the following: IAPMO, ANSI, HUD, NAHB, NHQ*

## Drain Details:



*Drain dimensions may vary slightly*