



Model: ATHENA-1850

Approximate cast weight: 381 lbs (172kg)

Water consumption: 62gallons (234 litres)

Key features include:

Solid one-piece construction with integral overflow

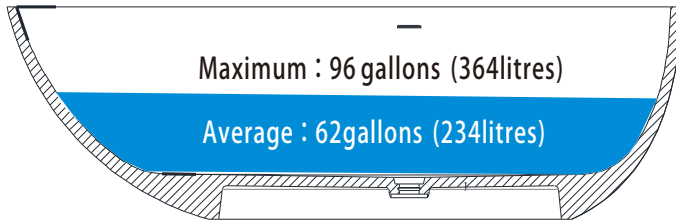
Pre-sloped to drain

Mold and mildew resistant

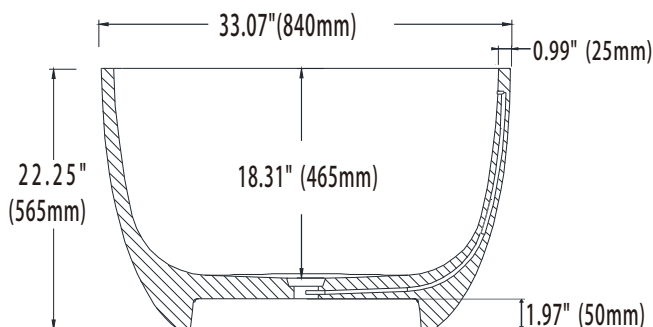
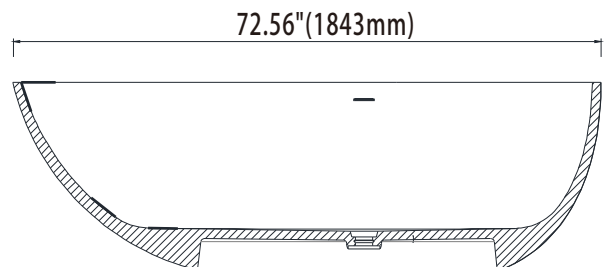
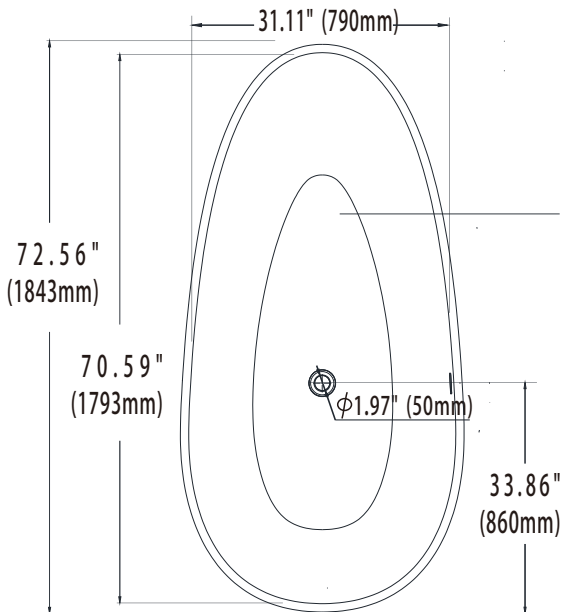
Bacteria resistant

Non-porous

Stain resistant and easy to clean



Water consumption



Overflow Details

