

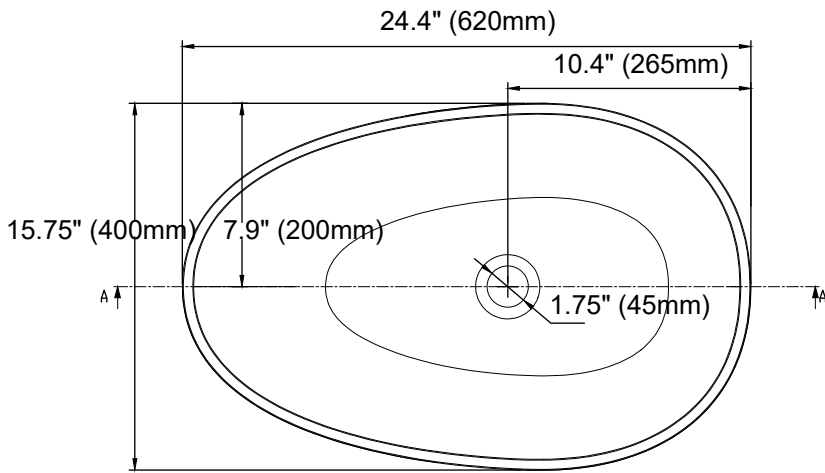


Tyrrell & Laing

INTERNATIONAL INC.

m c 8 1.2

c c
 m m c
 m c c
 c c
 m m m
 c c m c



m m ()
 m
 m ()

