



## Model: MAIA-1400

Approximate cast weight: 262lbs (118kg)

Water consumption: 28gallons (107litres)

Key features include:

Solid one-piece construction with integral overflow

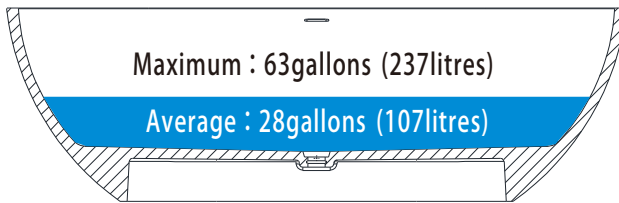
Pre-sloped to drain

Mold and mildew resistant

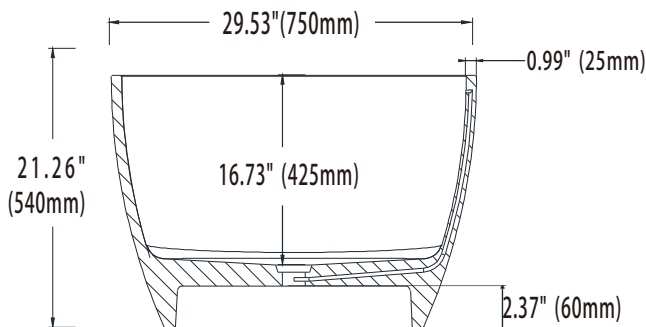
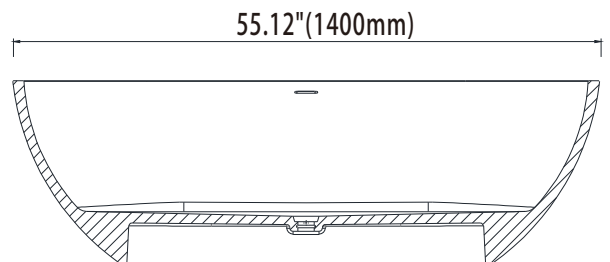
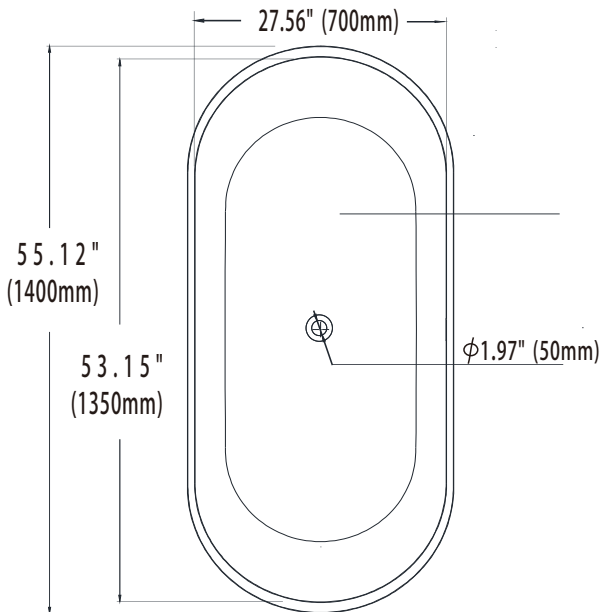
Bacteria resistant

Non-porous

Stain resistant and easy to clean



Water consumption



Uniform Plumbing Code (UPC®)

National Plumbing Code of Canada

International Plumbing Code (IPC®)

### Overflow Details

