



Model:TL-T88-1850

Approximate cast weight: 381 lbs (172kg)

Water consumption: 62gallons (234 litres)

Key features include:

Solid one-piece construction with integral overflow

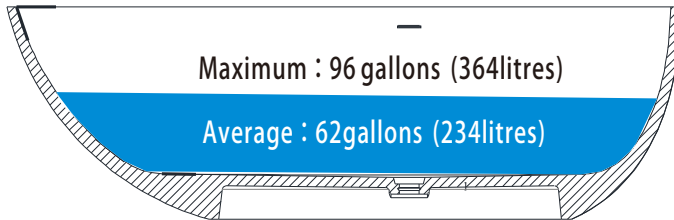
Pre-sloped to drain

Mold and mildew resistant

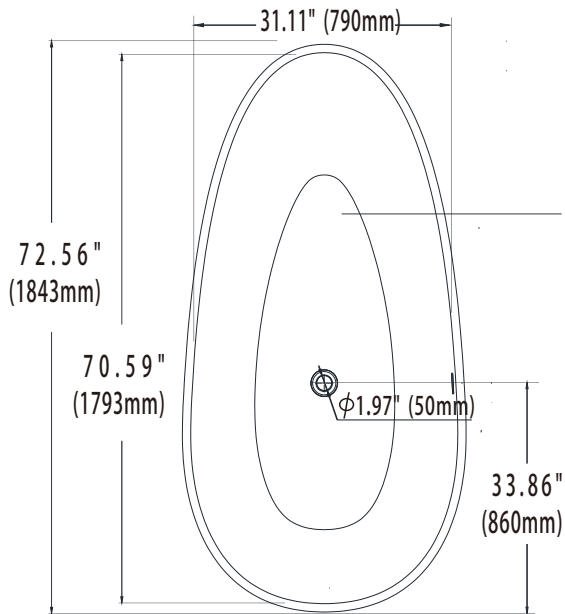
Bacteria resistant

Non-porous

Stain resistant and easy to clean



Water consumption



Uniform Plumbing Code (UPC)®

National Plumbing Code of Canada

International Plumbing Code (IPC)®

