



Model: TL-T88-1800

Approximate cast weight: 463lbs (209kg)

Water consumption: 50gallons (190 litres)

Key features include:

Solid one-piece construction with integral overflow

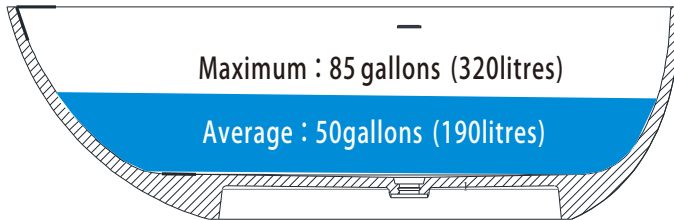
Pre-sloped to drain

Mold and mildew resistant

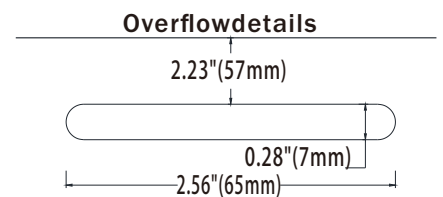
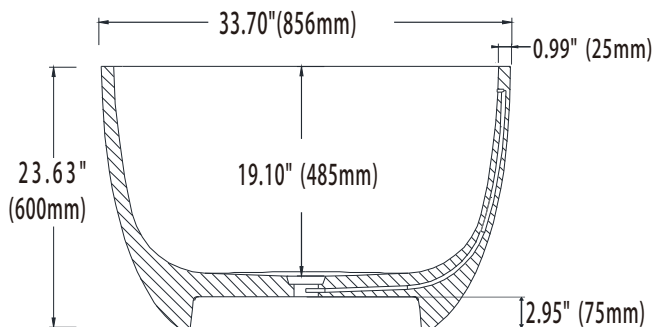
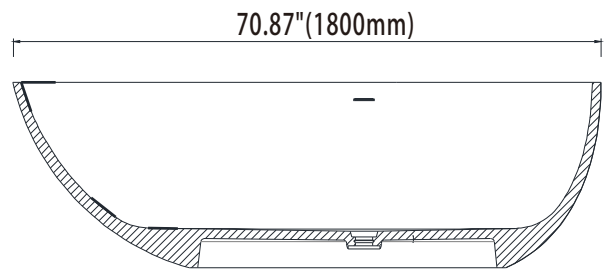
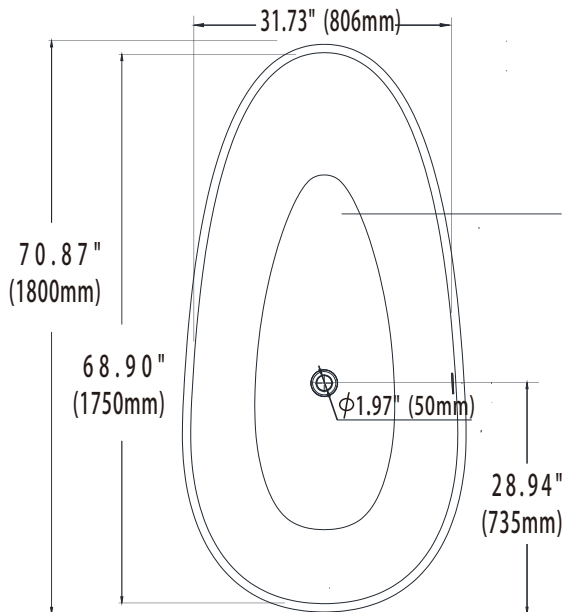
Bacteria resistant

Non-porous

Stain resistant and easy to clean



Water consumption



Uniform Plumbing Code (UPC)[®]
 National Plumbing Code of Canada
 International Plumbing Code (IPC)[®]