



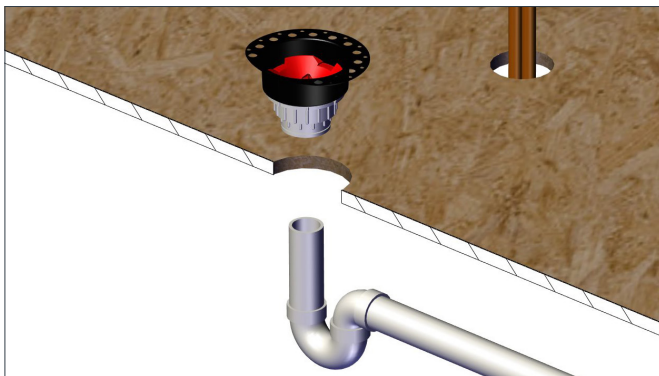
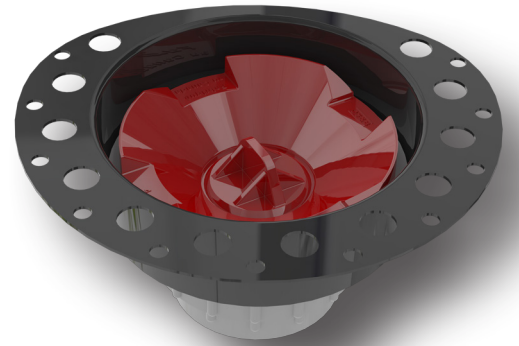
# Island Tub Drain™ (Testable Rough-in) by OS&B®

*Available in PVC, ABS or Cast Iron, and now featuring a snap off Test Cap and an asymmetrical Deck Plate designed not to interfere with a freestanding faucet rough-in!*

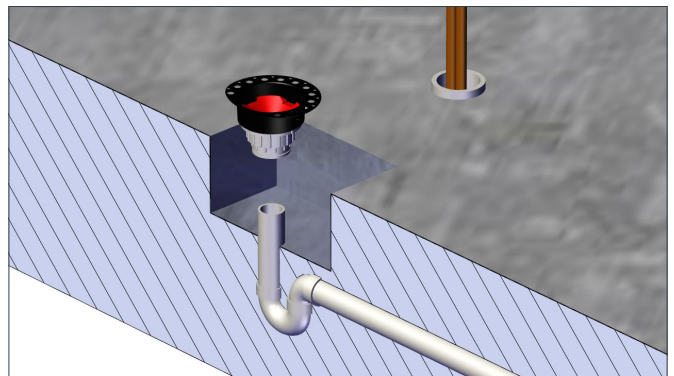
Install a Freestanding Bath Tub in minutes...

No muss. No fuss. No kidding.

**Your job just got easier.™**



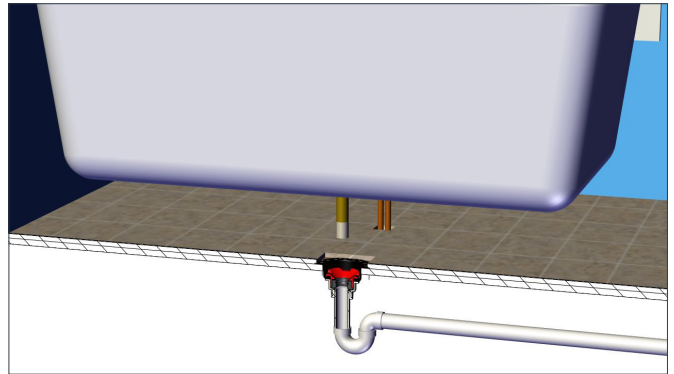
Install on wooden sub-floor with joists



Install on concrete slab



Install flooring surface up to the Deck Plate



Simply lower tub onto Island Tub Drain™ Rough-in



Scan QR Code to watch the Installation Video or visit:  
[www.osbplumbing.com/products/product-feature/island-tub-drain.php](http://www.osbplumbing.com/products/product-feature/island-tub-drain.php)

Island Tub Drain is Patented in Canada and the United States of America.  
Your job just got easier™ is a Trademark of OS&B®.

Available from T & L International Inc.

Tel: 1-813-625-1178

e-mail: [Glyn@TandLint.com](mailto:Glyn@TandLint.com)

[www.TandLinternational.com](http://www.TandLinternational.com)