



Rosebud freestanding tub

Approximate cast weight: 277 lbs (125 kg)

Water consumption: 32 gallons (120 litres)

Key features include:

Solid one-piece construction with integral overflow

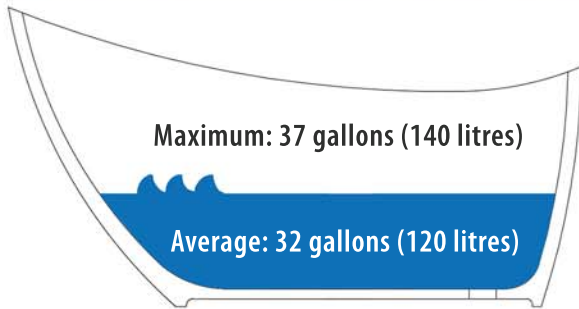
Pre-sloped to drain

Mold and mildew resistant

Bacteria resistant

Non-porous

Stain resistant and easy to clean



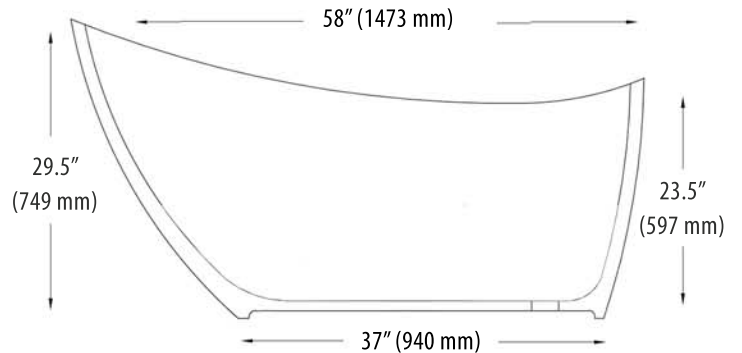
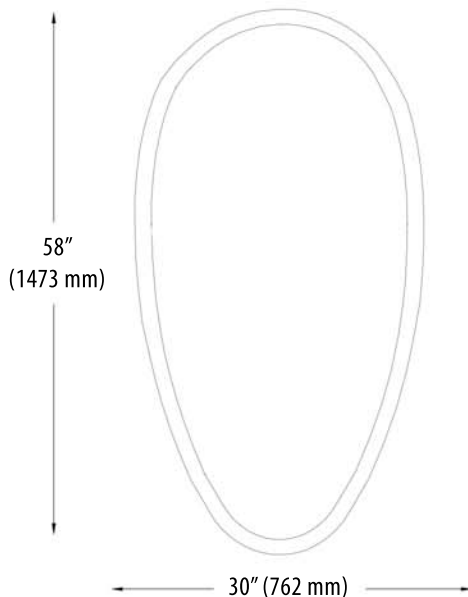
Water consumption



Uniform Plumbing Code (UPC®)

National Plumbing Code of Canada

International Plumbing Code (IPC®)



Overflow details

