



Rhondamay freestanding tub

Approximate cast weight: 500 lbs (226 kg)

Water consumption: 66 gallons (250 litres)

Key features include:

Solid one-piece construction with integral overflow

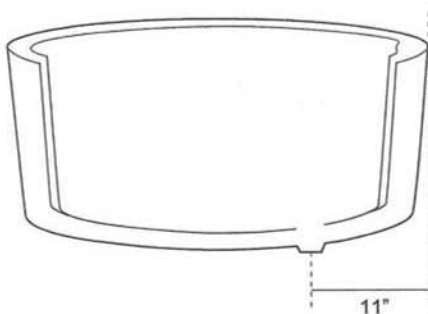
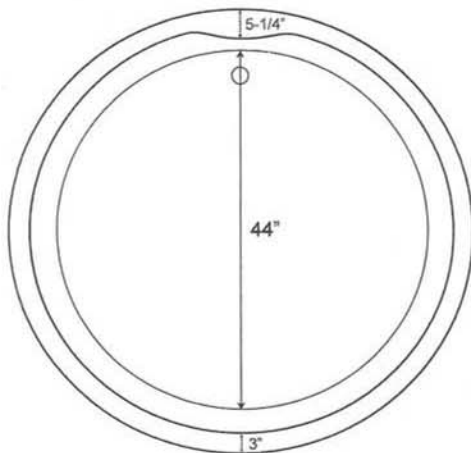
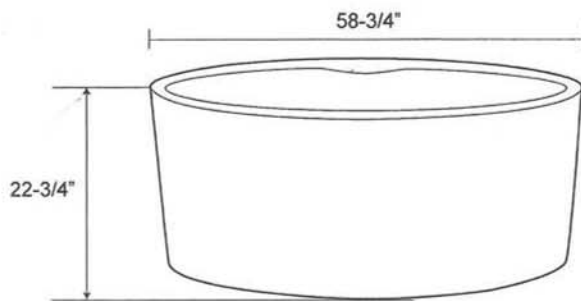
Pre-sloped to drain

Mold and mildew resistant

Bacteria resistant

Non-porous

Stain resistant and easy to clean

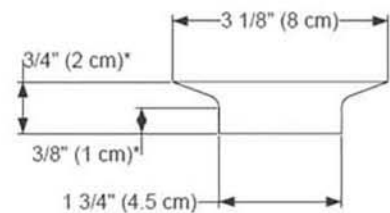


Uniform Plumbing Code (UPC®)

National Plumbing Code of Canada

International Plumbing Code (IPC®)

Drain Details:



** dimensions may vary slightly*

